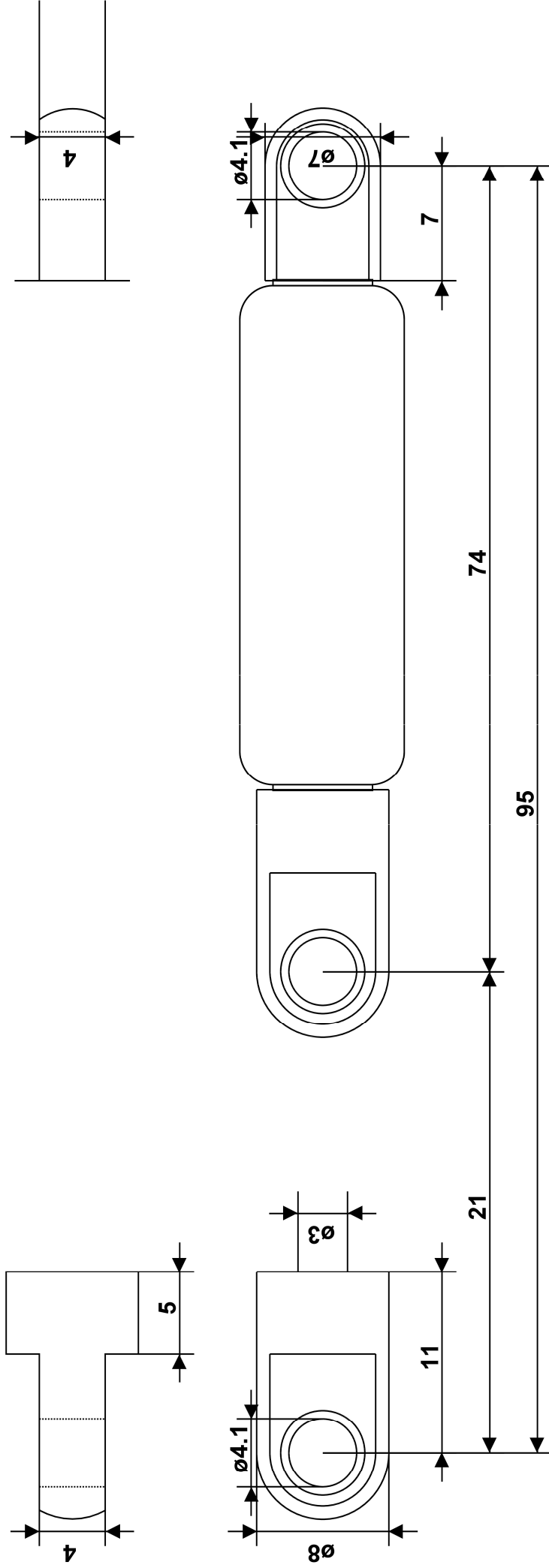
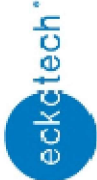


**ECKO TECH Part Number :
G 03 10 0020 1 0095 AU11 AB07 00070N**



Intended for internal use and customer / Tolerance of ext. length: +/- 2mm / Release Pin length 5mm +/-1,5 - Dimensions without tolerance: per DIN ISO 2768-1 -c (ISO 2768 -c)
For Information Only - Force tolerance: F1 >= 1000N: +/- 5%; < 1000N: +/- 10%, min.: +/- 10N, max.: +/- 50N - Unregistered Copy, Print-out or file not subject to modification service. End fitting orientation is random and not represented by drawing unless specified - Observe disposal instructions - Not true to scale

		Please note our technical instructions		Assembly/storing with piston rod down		
		No opening-no heating-high pressure				
25. Nov 2019	Delacourt	Part	Dimension	Material / Surface	Fitting	Progr.:15.00 %
Made in Germany		Piston rod	Ø3mm	V2a	AU11 M3,5 Ø4,1 t=4 * ANS/M04/AUG/001	
Drawing owned by ECKO TECH		Cylinder	Ø10mm	Stahl,black	AB07 Ø4,1 t=4 * BG/10/AUG/001	
info@eckotech.fr						
www.eckotech.fr						Configuration ID : 83001396-